



floor standing loudspeaker SA ranger master:

SA ranger master is more than a loudspeaker.  
It is a beautiful piece of furniture

## the new standard

**It is no coincidence that SA ranger master is shaped like a discreet exclamation mark. It is supposed to remind you of the joy of closely experiencing music and movies.**

SA ranger master is for people who want to be inspired by top-class entertainment in their homes. When you close your door, shutting out the hectic outside world, SA ranger master is open to any kind of musical experience: rock, pop, jazz, classical – or whatever else you fancy. You can play soft background music or blast it out at high volume for hours. You can move around or sit down. Everywhere you go you will experience uniform and faithfully reproduced sound quality. SA ranger master can also be integrated into your home cinema, and will convince you that it is worth spending time spoiling yourself with large-scale experiences.

### master is superior

SA ranger master contains the results of the development work that has been made possible after the presentation of the original SA ranger. Completely new approaches to the development of acoustics and electronics are used, and SA ranger master is the first speaker of its kind.

### developed in special test room

To create SA ranger master a special test room with controlled acoustics was built. It was necessary to safeguard that the sensitive measuring equipment would show its results with the greatest possible accuracy. New methods have been employed including a new analysis of how our human ears perceives sound. With our new knowledge we build our master. A loudspeaker, which in many respects is built like its role model, but offers more of everything.



SA ranger master is available in six different finishes. Four of them are real wood, while two are painted. This white satin

## news in SA ranger master

Inside the loudspeaker materials are optimized, so the air moves more freely with less compression. This part of loudspeaker design has been optimized in SA speakers for many years, but in SA ranger master, we have gone even further.

The crossover network, the speaker's electrical circuit, is designed in a new way. The crossovers primary job is to distribute the audio signal to the loudspeaker's different drive units and the new crossover in SA ranger master process audio signals in a more gentle way, so important information is not lost. This has become possible because the acoustics has been improved. The new crossover and the improved acoustics have led to one of the world's best cables. Nordost monofilament has found its way to the tweeter in SA ranger master. The four woofers are connected with Nordost wyrewizard cables.

## design

On the back of the speaker you will find a discreet label that says "master version" and the speaker's logo is located on an angled area on the front plate. SA ranger master is also made in beautiful black high gloss paint. A finish that is not available on the original SA ranger.

## acoustics – invisible quality

Acoustics is one of the least visible sciences. But superb acoustics liberate music and provide extraordinarily good sound. Acoustic perfection is only one of our goals, and our development process starts far away from laboratories and measuring rooms. Our speakers are designed to work in the homes of the people who choose to live with them. A number of the world's leading acoustic engineers have contributed in the process to develop SA ranger master. It may be difficult to see, but you can't avoid hearing it.

## a sound created for a home - not the lab

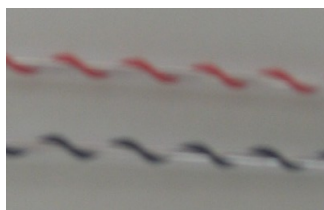
In an ordinary home, both the floor and the ceiling have even surfaces, almost completely devoid of breaks or variations, but various pieces of furniture placed along the walls shape the acoustics of the room. The even floor and ceiling surfaces normally generate a large number of reflections which make the sound unnatural, while the furniture in the room and along the walls generates far fewer reflections – so SA ranger master radiates less sound in the direction of the floor and ceiling than you are used to with other speakers. The narrow design also helps prevent reflections from the front plate, while the relatively deep cabinet prevents sound from the inside of the cabinet escaping through the membranes on the drive units. All of this is clearly audible because the fewer reflections and the excellent acoustics make you feel closer to the artists.

## straight in the ears

SA ranger master can be positioned anywhere you want – although it does, of course, always pay to experiment a bit if you want the best possible sound. And when you sit in front of the speaker, the sound comes straight at you at ear level, just like sitting right in front of the musicians.



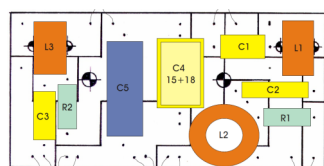
the logo sits on an angled area of the front plate



Nordost monofilament is used as the internal cable to the tweeter



Nordost wyrewizard used as the internal cable for the four woofers



sophisticated simplicity. The loudspeaker's built-in crossover network consists of just 10 components. Only four are sitting in series with the signal. It is good news for the sound quality



the drive units position, dimension, tonal range, distance to the floor and the speaker cabinet's shape, are among the factors which influence the loudspeaker acoustics - and hence its sound quality



10,4 cm

the SA W1104XL woofer:

## almost unbelievable performance

The little woofer has to be heard to be believed. W1104XL is the first 10.4 cm woofer capable of producing a genuinely deep and full-bodied bass sound. It is a technological achievement that will significantly enhance your musical experience.

Small woofers have advantages over big ones, and SA passes a milestone with the W1104XL. The light membranes sound more natural, and their small diameter allows for superior distribution of the sound. Reproducing bass sound is all about the ability of the speaker to move air, and in this context, a small membrane has to work significantly harder to move the same air as a large membrane. The challenge is to increase the membrane's mobility – and W1104XL outperforms every other woofer of the same size.

- the membrane's mobility is 3–5 times greater than an ordinary woofer
- incredibly durable construction, both mechanical and electric
- the specially designed membrane weighs just 0.8 grams and is made of a paper-like material
- the chassis is cast in aluminium and designed to enable substantial airflow
- the heat is drained off by cooling ducts
- the voice coil is made of fibreglass
- a magnet system with built-in metal rings reduces distortion
- XL technology is only available in SA speakers



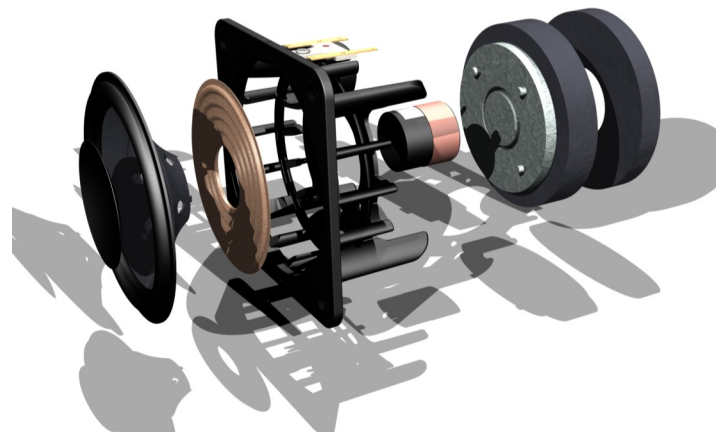
**XL**  
TECHNOLOGY

XL technology means that the woofer has an extra-long stroke system (only available in SA speakers)



## SA are specialists in small bass speakers of high performance

It is not unexpected that SA presents technologies such as XL technology for superb sound from small speakers. In 1984, when System Audio A/S was founded, the essential difference between the first SA speaker and other speakers was that, the SA speaker used smaller woofers. We require speed and accuracy of our speakers, because it offers more nuances in the sound and makes it easy to follow the music. When we require that a speaker should be able to play very loud we do not use large woofers, but several small ones instead.



inside the solid aluminium chassis sits a powerful engine that gets big sound out of the little speaker



tweeter T2506XS2

the SA T2506XS2 tweeter:

## where the most delicate nuances of sound are produced

Acoustics, precision engineering and musicality converge in the T2506XS2 tweeter to provide a fantastically subtle reproduction of every detail of the sound. With a membrane weight of just 80 mg, the almost transparent membrane is possibly the lightest ever made.

- XS technology also ensures that the tweeter distributes sound over a greater area than traditional tweeters. Wherever you sit in the room, or even while moving around, you'll still experience uniform sound quality. Ordinary tweeters emit the highest tones as a narrow ray, meaning that you have to sit right in front of the speaker to get the full benefit of the experience
- XS technology extends the area in which you can enjoy the best possible sound quality
- a 12 mm front plate made of cast aluminium serves as the vibration-free base from which the tweeter transmits information that requires precise membrane movements – all the way down to 0,0005
- the unique textile membrane weighs only 80 mg – possibly the lightest ever made
- separate built-in chamber behind the membrane
- the T2506XS2 tweeter is magnetically shielded
- XS technology is only available in SA speakers



solid input terminals on the back of the loudspeaker provide easy access to all types of cables, and allow biwiring or biamping. The crossover network is mounted on the inside of the input section.



behind the cast aluminum front plate, the incredible light membrane is mounted in its own chamber



with a weight of just 80 mg, the almost transparent membrane may be the lightest ever made

# XS TECHNOLOGY

XS technology allows you to experience a more uniform sound quality, no matter where you are in the room



### sound and design

SA ranger master is designed by Ole Withthøft who uses the term "reduction" as his design philosophy. On each loudspeaker you will see reduction as an absence of decoration. Inside the speaker you see reduction as an obvious simplicity of the design. It is also reduction, which drives us to reduce the weight of the moving parts in our drive units, because it gives better sound. When we reduce the speaker's dependency of the room acoustics, it is also a way to use the philosophy of. It is a waste of the user's resources to make things complicated. Simplification of every little detail optimizes the experience. In short: less is more.

### technical specifications

dimensions (WxHxD) cm: 13 x 116 x 32  
 recommended amplifier: min. 70 Watt  
 recommended placement: floor, 10-30 cm from the back wall  
 finish: white satin, gloss black, ebony, black ash, cherry, maple  
 power handling: 300 Watts  
 frequency range + / - 1.5 dB: 40-35.000 Hz  
 impedance: 4-8 ohms  
 sensitivity (1W, 1m): 89 dB  
 biwiring: yes  
 crossover: 500 / 3000 Hz (6/18 dB/oct.)  
 tweeter: 1 x T2606XS2  
 woofers: 4 x W1104XL  
 design principle: 2.5 way bass reflex  
 sand chamber: 5 liters (about 12 kg)  
 packing: individually  
 weight (speaker): 21.7 kg  
 dimensions (packing carton): 30 x 126 x 46.5  
 shipping weight (per speaker): 28.8 kg